
Intermot Hydraulic Motors IAM•HD Series

H8 Models

***IAM•HD 6000 – 6500 – 6800 – 7600 – 8000 H8
IAM•HD 6000/C – 6500/C – 6800/C – 7600/C – 8000/C H8***

INDEX

TECHNICAL DATA	Pag. 27
IAM•HD 6000 – 6500 – 6800 – 7600 – 8000 H8	Pag. 28
IAM•HD 6000/C – 6500/C – 6800/C 7600/C – 8000/C H8	Pag. 29
ORDERING INSTRUCTIONS	Pag. 30

IAM•HD H8

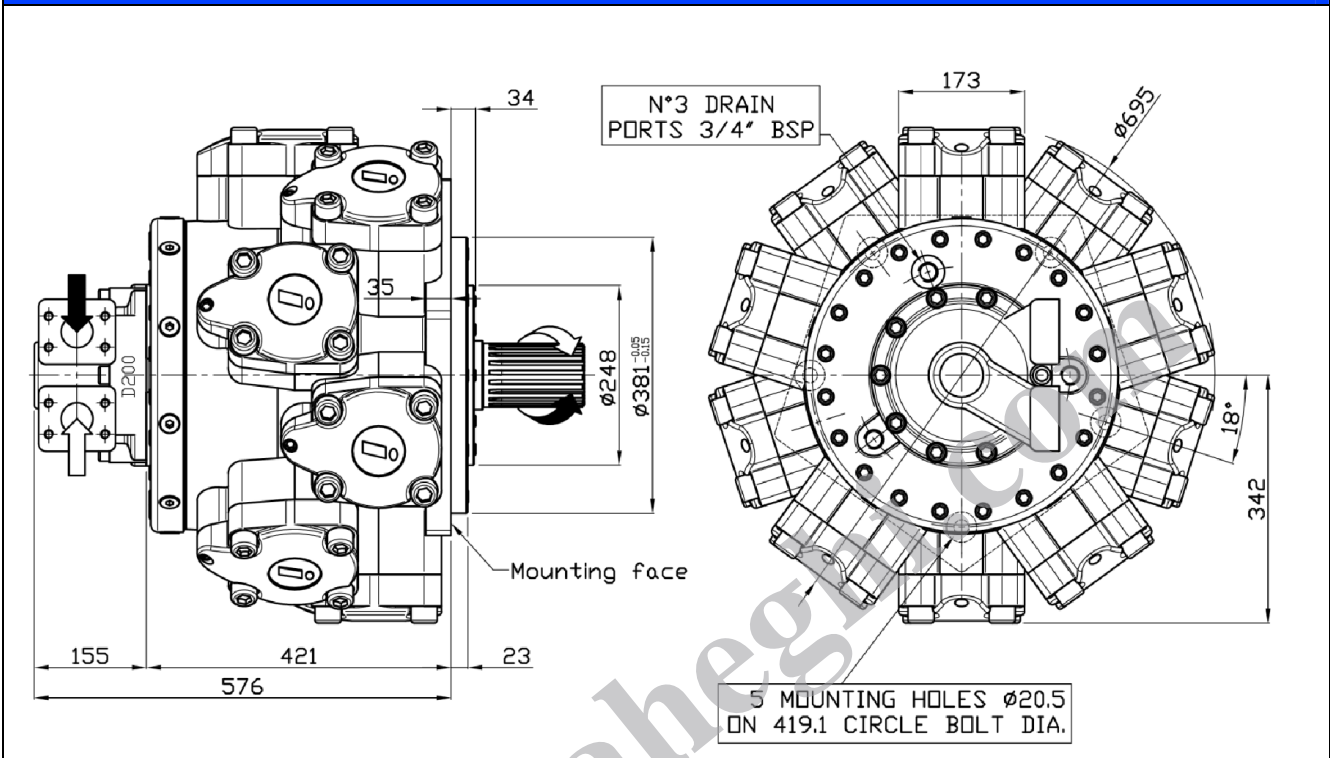
Technical data

MODEL	N° of pistons	Displacement	Specific Torque	Pressure			Speed		Max Power	Dry Mass	Max case pressure	Max back pressure	Temperature range
				Max Cont.	Max Int.	Peak	Max Cont.	Peak					
				cm ³ /rev	Nm/bar	bar							
IAM•HD H8	6000	5966	95	250	290	350	120	140	215	590	6	70	-30 ÷ +70
	6500	6581	104.7	250	290	350	120	140	215				
	6800	6962	110.8	250	290	350	120	140	215				
	7600	7620	121.3	190	230	290	90	100	215				
	8000	8062	128.3	180	220	280	80	90	215				

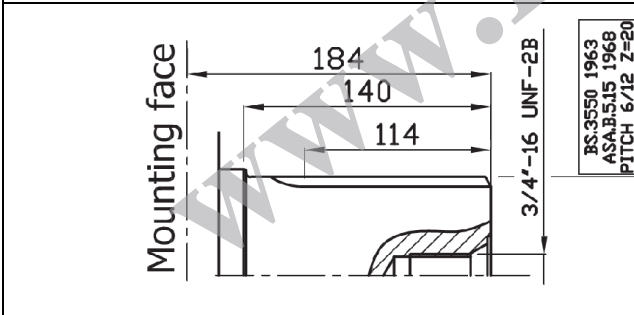
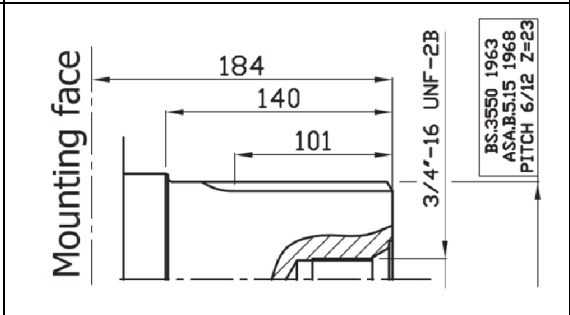
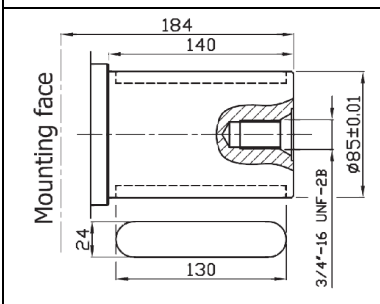
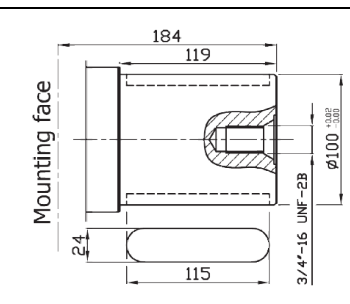
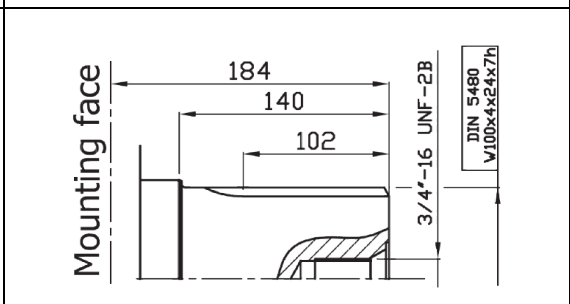
IAM•HD H8

Dimensional drawings

IAM•HD 6000 – 6500 – 6800 – 7600 – 8000 H8



SHAFTS

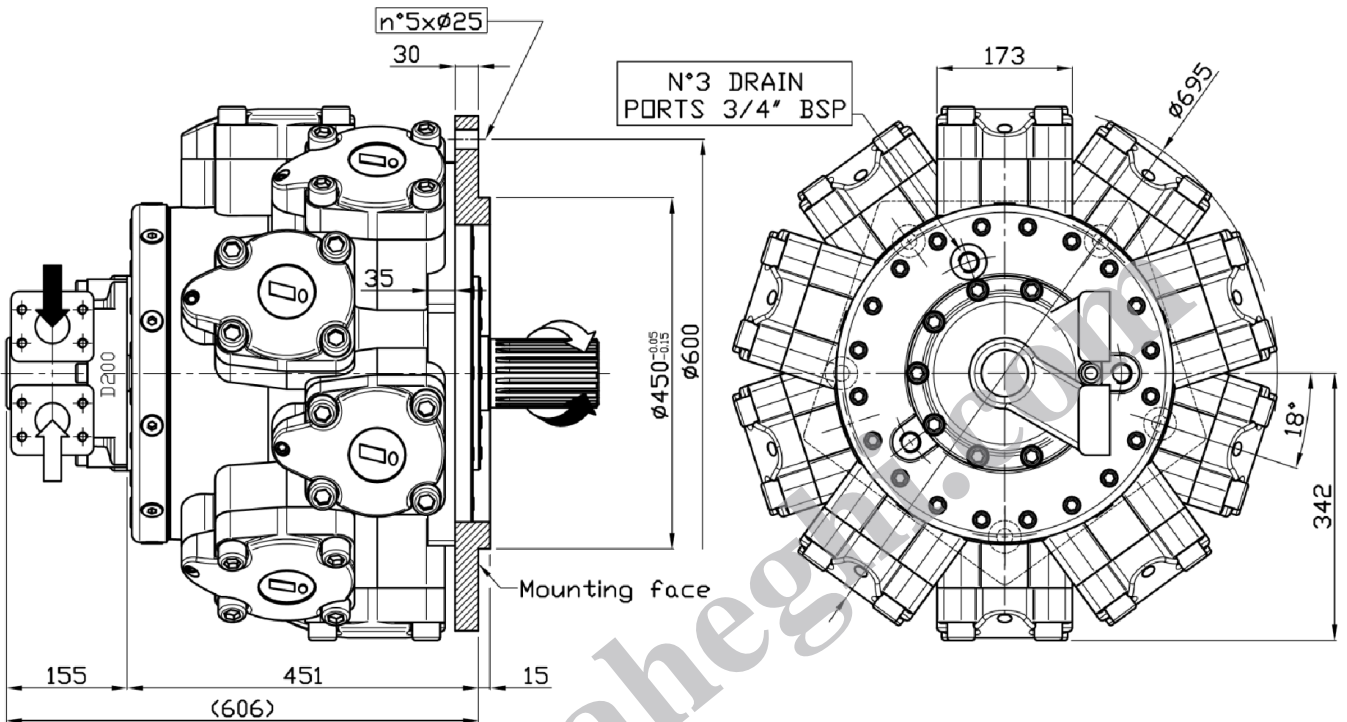
A1: Standard splined shaft		A11: Splined shaft on request	
			
A2: Parallel shaft	A22: Parallel shaft on request	A5: Splined shaft on request	
			

The data specified into this catalogue are for product description purpose only and must not be interpreted as warranted characteristic in legal sense. Intermot reserves the right to implement modification without notice.

IAM•HD H8

Dimensional drawings

IAM•HD 6000/C – 6500/C – 6800/C – 7600/C – 8000/C H8

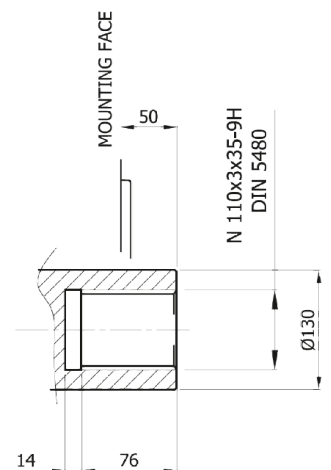
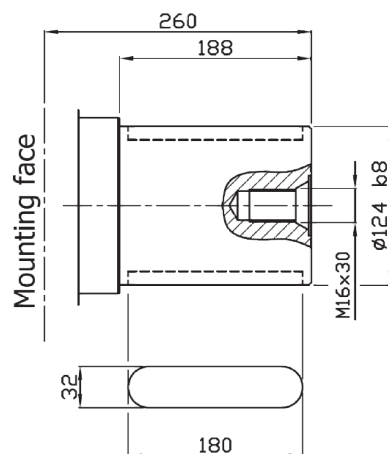
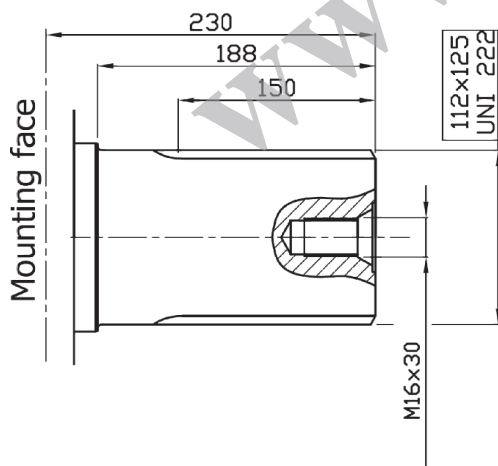


SHAFTS

A0: Standard splined shaft

A2: Parallel shaft on request

A3: Internal splined shaft



IAM•HD H8

Ordering instructions

IAM•HD	---	/ _	H8	A _	D __	SB _
Model						
Displacement						
6000 cc/rev						
6500 cc/rev						
6800 cc/rev						
7600cc/rev						
8000 cc/rev						
Interchangeability						
/C						
Housing						
				Shaft		
A0 – Standard splined shaft						
A1 – Special splined shaft						
A11 – Splined shaft on request						
A2 – Parallel keyed shaft						
A22 – Parallel shaft on request						
A3 – Internal splined shaft						
A5 – Splined shaft on request						
					Distributor	
D200						
						Spline billet
SB12						

EXAMPLE: IAM•HD 6800 H8 A1 D200